

| Contemporain

# Luminaire Centaure.

In order to reinterpret and meet current requirements, we have redesigned and simplified the past Century luminaire.

☑ The project meets the requirements of the Order of 27 December 2018 on the prevention, reduction and limitation of light pollution.



CHRYSA LIS



## ▼ MATERIALS AND FINISHES

- Class II luminaire
- Cast aluminum base with an inverted pyramid shape.  
Section 130 mm x 130 mm at the base, 180 mm x 180 mm at the top.
- 4 curved semi-recessed cast aluminum arms. Passage of the electrical cable inside one of the arms.
- Aluminum tray with cable passage profile on the underside.
- Round lolita light fixture fixed on the upper shelf
- One-piece body in die-cast aluminum casting Ø370mm
- Sealed, screen-printed LOLITA bowl :
  - in IK08 flat glass, as standard
  - in IK10 polycarbonate, on request
- Aluminum strips between PCBs to reduce glare
- RAL / Akzo Nobel powder coating of your choice, seaside option on request
- Square lower section 130mm x 130mm, upper diameter 700mm, height 640mm.

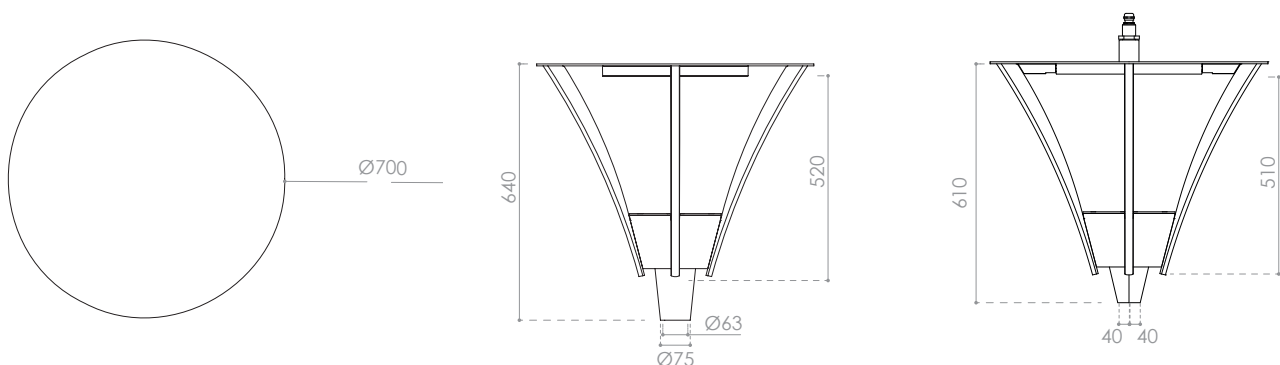
## ▼ EQUIPMENT

- OPTICAL BLOCK:
  - PMMA optical lenses
  - PCB and aluminum
  - Optics: Road (R), Semi-urban (SU), Urban (U), Square (P), Cycle path (PCY), Pedestrian crossing, Architectural.
  - Color temperatures: 3000K, 2700K, 2200K, 1800K (4000K, on request)
  - Coexistence of 2 optional color temperatures\*.
  - Cable gland
  - Pre-wired HO7 RN-F flexible (Length depending on equipment)
  - ULR < 1%, ULR < 4% (in situ), CIE flux 3 code > 95%
- EQUIPMENT incorporated:
  - IP66 waterproofing
  - Optional antenna socket (Fixing depending on configuration)
  - Driver Light prog, Driver Full prog (With DALI output on request). SR or D4I driver and socket, optional
  - \* Additional driver for temperature mix option
- ELECTRICAL PROTECTION:
  - 10kV surge protector on request
  - Varistor on request
  - All our components are ENEC certified

## ▼ FIXINGS

- **STANDARD TOP :**  
covering on Ø60mm pole or suspended in 34 PDG.

## ▼ DIMENSIONS



Number of LEDs and PCBs subject to change.

