

| FUNCTIONAL RANGE

Luminaire Fabio.

FRENCH FOUNDRY



✔ The project meets the requirements of the Order of 27 December 2018 on the prevention, reduction and limitation of light pollution.



CHRYSA LIS



▼ MATERIALS AND FINISHES

- Class II luminaire
- One-piece body in die-cast aluminum casting
- IK08 screen-printed basin

PAINTING :

- RAL powder coating of your choice
- Seaside option

▼ EQUIPMENT

- OPTICAL BLOCK:
 - PMMA optical lenses
 - Aluminum PCB (3 PCBs maximum)
 - Optics: Road (R), Semi-urban (SU), Urban (U), Square (P), Cycle path (PCY), Pedestrian crossing, Architectural.
 - Color temperatures: 3000K, 2700K, 2200K, 1800K (4000K, on request)
 - Coexistence of 2 optional color temperatures*.
 - Pre-wired HO7 RN-F flexible (Length depending on equipment)
 - ULR < 1%, ULR < 4% (in situ), CIE flux 3 code > 95%

- EQUIPMENT incorporated:
 - IP66 waterproofing
 - Removable glass opening with 4 captive screws with retaining cable.
 - Optional antenna socket (Fixing depending on configuration)
 - Driver Light prog, Driver Full prog (With DALI output on request). SR or D4I driver and socket, optional
 - *Additional driver for mixed temperature option

• ELECTRICAL PROTECTION:

- 10kV surge protector on request
- Varistor on request
- All our components are ENEC certified

▼ FIXINGS

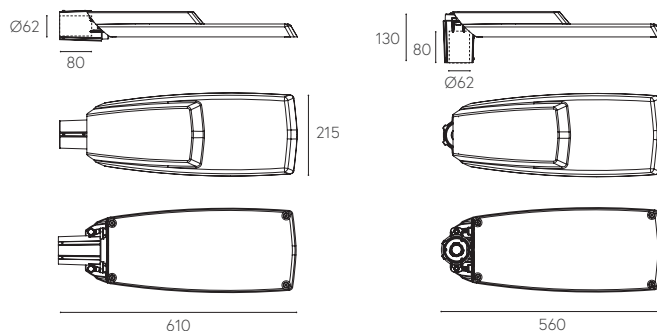
• STANDARD :

- D60 side cap covering (0° inclination - Optional -5° / -10°)
- Mast top end Ø60mm

• OPTIONAL :

- Ball joint (Free inclination in 5° steps)
- Reduction washer Ø49mm
- Lyre
- Applique

▼ DIMENSIONS



SCX (m2)	0.035
Wt (kg)	5.4

