



Luminaire Amandine LED-U.

☑ Meets the requirements of the Order of December 27, 2018 on the prevention, reduction and limitation of light pollution.



▼ MATERIALS AND FINISHES

- Class II luminaire
- IP66 sealing
- Extruded aluminum body
- Spun aluminum dome
- IK07 metacrylate bowl

- **PAINT :**
 - RAL powder coating of your choice
 - Sea shore option

▼ EQUIPMENT

• OPTICAL BLOCK :

- Lifetime L90B10 100000h
- Luminous efficacy up to 135 lm/W
- LED source flux from 1000 to 9760lm
- PMMA optical lenses
- Circular aluminum PCB, 32 LED or 16LED
- Optics: Road (R), Semi-Urban (SU), Urban (U), Square (P), Bicycle Path (PCY), Pedestrian Crossing, Symmetrical
- Color temperature: 3000K, 2700K, 2200K
- ULR < 1%, CIE flux 3 code > 95%.

• BUILT-IN APPARATUS :

- Fullprog driver as standard with integrated 8KV mini protection. Liteprog and D4I drivers in option.
- Specific driver(s) for mixed source solution on project

• OPTIONS :

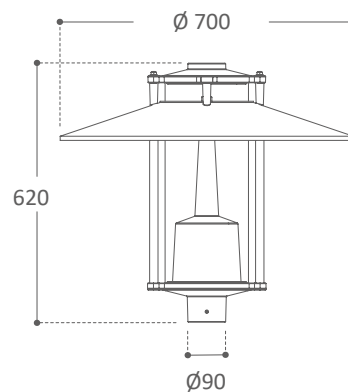
- Antenna socket zhaga on request
- Varistor on request
- 10kV lightning arrester

• **All our components are ENEC certified**

▼ FIXINGS

- End cap Ø60mm x 70mm

▼ DIMENSIONS



▼ VERSIONS



> Amandine



> Orchidée



> Myosotis



> Jonquille

